



Driver .....

Date .....

Track .....

Air temperature ..... from 20° to 30°

Track temperature .....

Amb. conditions ...Hi-grip.....

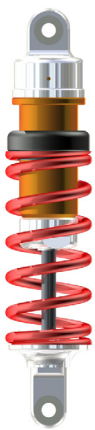
Test  Race  Championship .....

Classification head .....

Subfinal .....

Final

### Front axle



Oil

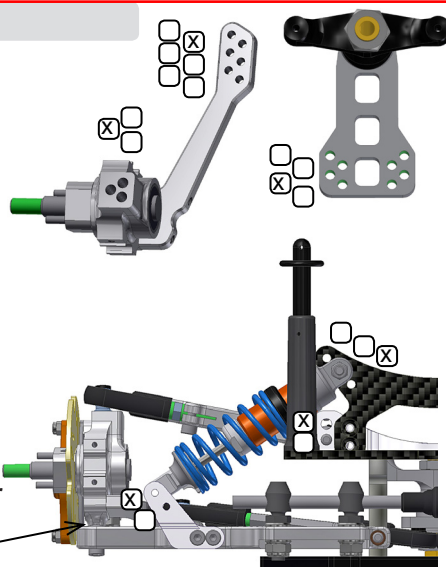
Spring preload

Spring

Piston holes

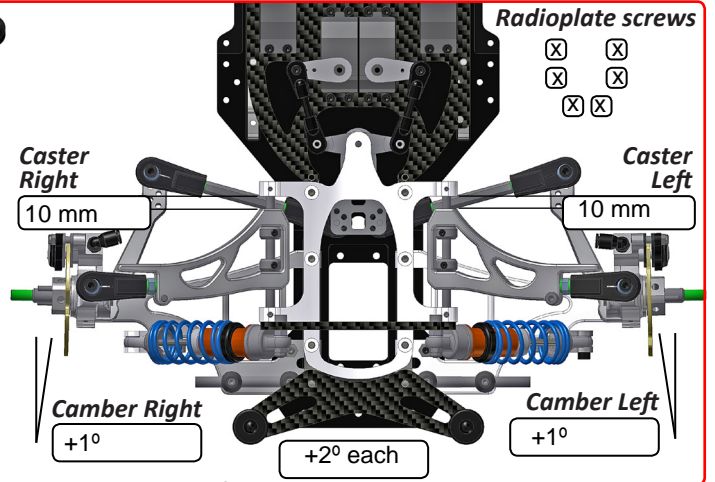
Holes size

Spacer under uprights



Ground clearance

Maximum height



Radioplate screws

Caster Right

Caster Left

Camber Right

Camber Left

Toe in (-)/out (+)

### Roll bars

Front roll bar  $\varnothing$

Hardness %

Hardness mm

Rear roll bar  $\varnothing$

Hardness %

Hardness mm

### Rear axle



Oil

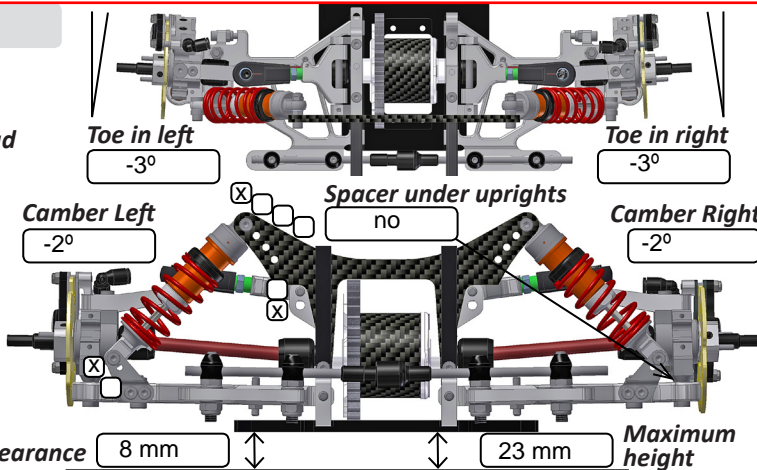
Spring preload

Spring

Piston holes

Holes size

Spacer under uprights



Ground clearance

Maximum height

Toe in left

Toe in right

Camber Left

Camber Right

### Chassis



Total weight

Front weight

Medium-front weight

Central weight

Rear weight

### Transmission

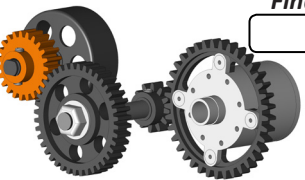
First pinion

Second gear

Final ratio

Diff. pinion

Diff. gear



### Tyres

Tyre brand

Front Left

Front Right

Rear Left

Rear Right

New  Used

New  Used

### Others

Motor .....

Clutch ..... Contrast

Revs

Pipe .....

Body .....

### Results

Final Position

Best lap time

Mid lap time

Driver opinion .....